

Presentation Tools with Gesture Recognition and Augmented Reality

By CHOW Yan Kit, SZETO Sai Kit, WONG Ka Chi, YIP Hong Ip
Supervised by Prof. Pan HUI



XPres

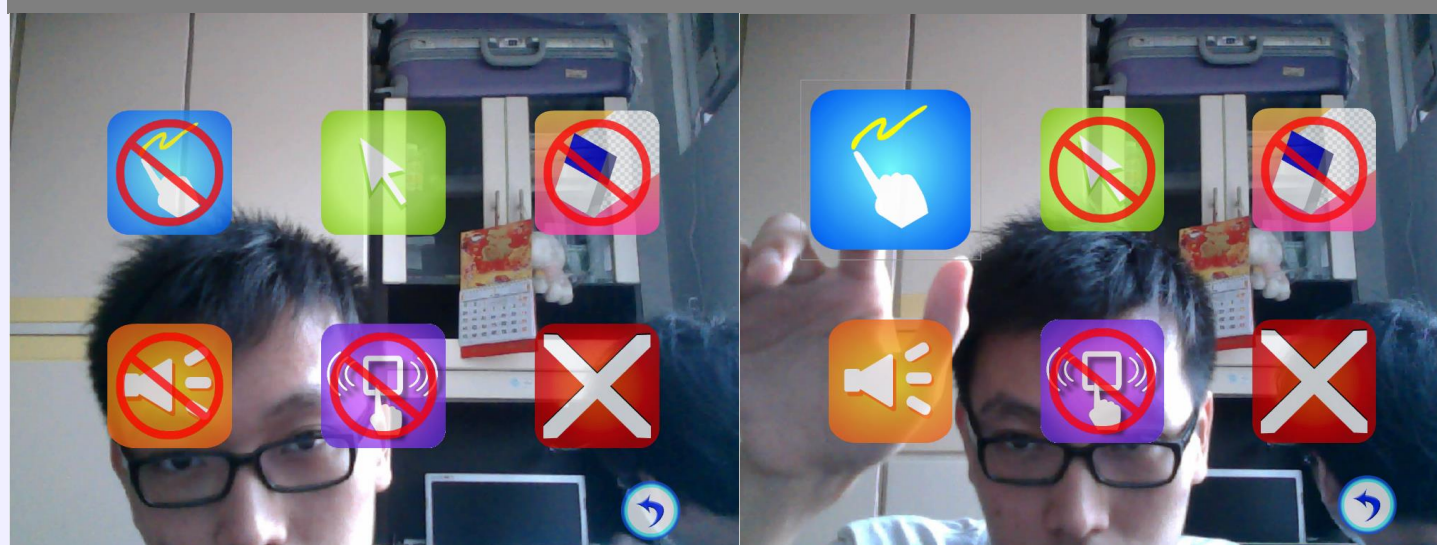
Our Design motto

- 1 mind-blowing
- 2 dynamic
- 3 impressive

Demo video
<http://goo.gl/tdG0lu>



Main Features



Interactive Objects

The presenter can interact with all the objects on the screen by means of Augmented Reality(AR).



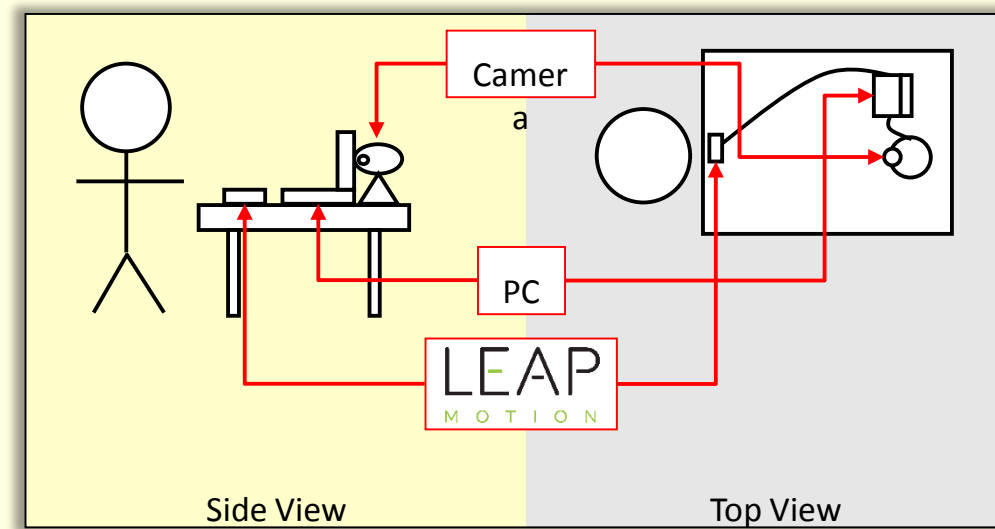
Background Substitution

XPres "brings" the presenters to any place they want to.

Drawing

XPres allows to draw on the screen using fingers.

Demo video
<http://goo.gl/RyV1SP>



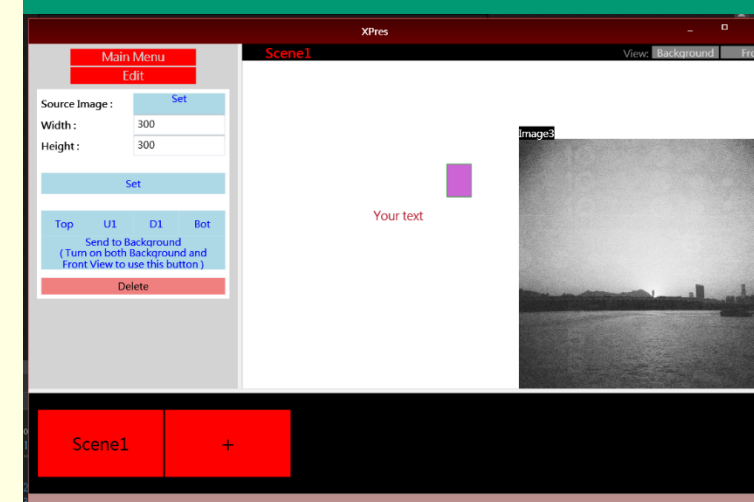
Setup

We combine real time images captured from camera with the presentation materials so that the presenter is actually shown on the screen with the materials.

XPres Editor

To help users to create and design their own XPres presentations, We also developed an editor. It is designed to be sophisticated, direct, easy-to-learn and user-friendly.

Main Features



Objects Editing

Users can insert and edit images, shapes, texts, and sounds.



Animation Editing

Users can edit animation sequences of different scenes. For each animation, users can choose their desired types of animation and gesture that trigger the animation.

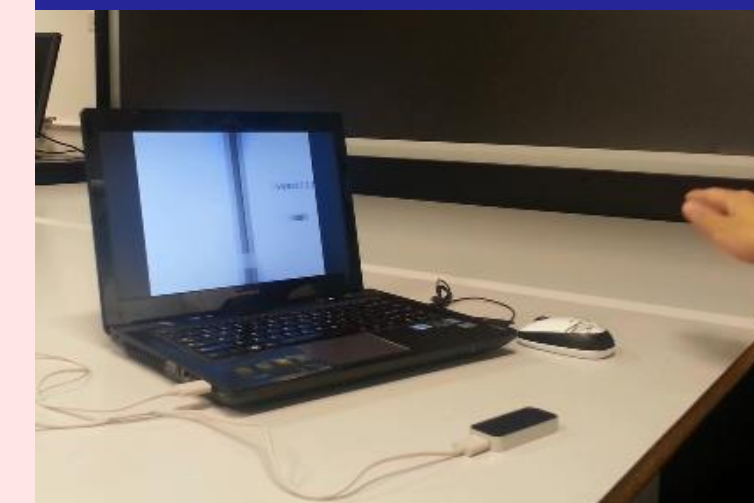
The PowerPoint Add-in

Apart from making our own presentation software, we have developed an Add-in for Microsoft PowerPoint so that presenters can use gestures to control PowerPoint with LeapMotion Controller. This Add-in is designed to give users a taste of gesture-controlled presentation and to help them adapt to our software.

Demo video
<http://goo.gl/8TerKf>

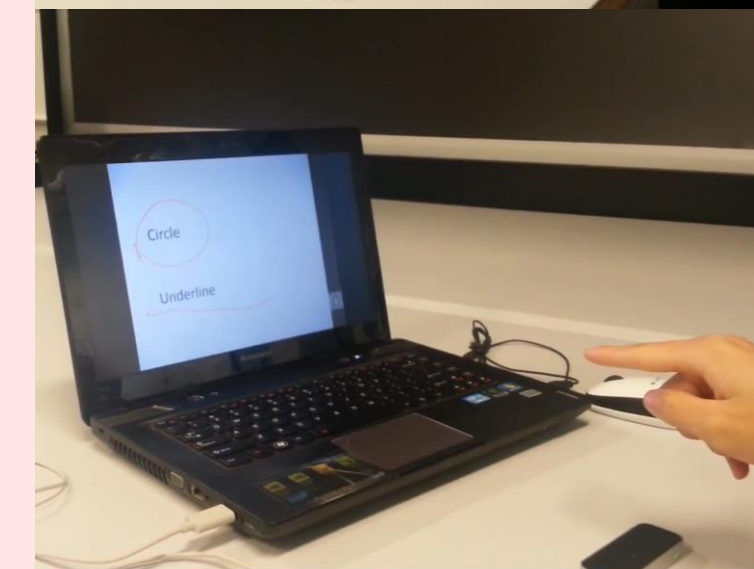


Main Features



Transition of slides

Users can use a hand swipe gesture to navigate slides.



Drawing

Presenters can draw on the screen using fingers during the presentation. A circle gesture is used to activate and deactivate the drawing mode.