

Comp151

Overloading, Construction & Initialization

Introduction

- Our next major topic will be how to initialize new objects using **constructors**. Before doing so we take a short break to introduce another concept that we will need in that discussion, that of function **overloading**. This is a technique that allows the same function name to have many “meanings”.
- In ordinary life, you actually use overloading all the time. E.g., $1 + 2$ is not the same thing as $1.0 + 2.0$ in C++; the $+$ operator is overloaded.
- As another example suppose you want to write one function to compute the average of two numbers and another to compute the average of three numbers:

```
double avg(double n1, double n2) {  
    return ((n1 + n2) / 2.0);  
}  
double avg3(double n1, double n2, double n3) {  
    return ((n1 + n2 + n3) / 3.0);  
}
```

- In C++, you can use the same name for both functions!

Introduction

- This is legal in C++ (but not in C):

```
double avg(double n1, double n2) {  
    return ((n1 + n2) / 2.0);  
}
```

```
double avg(double n1, double n2, double n3) {  
    return ((n1 + n2 + n3) / 3.0);  
}
```

Function Overloading

- Overloading allows programmers to use the same name for functions that do *similar* things but with different input arguments.
- In general, both ordinary function names and member function names can be overloaded in C++.

```
class Word {
```

```
public:
```

```
    set( int k ) { frequency = k; }
```

```
    set( const char* s ) { str = new char[strlen(s)+1]; strcpy(str,s); }
```

```
    set( char c ) { str = new char[2]; str[0] = c; str[1] = '\0'; }
```

```
private:
```

```
    int frequency;
```

```
    char* str;
```

```
};
```

Function Overloading..

- But to speak good C++, don't abuse overloading. Make sure that your overloaded functions really do *similar* things.

```
class Word {  
    ...  
    set(int k) { frequency = k; }  
    set(const char* s) { str = new char[strlen(s)+1]; strcpy(str,s); }  
    set(char c) { str = new char[2]; str[0] = c; str[1] = '\0'; }  
    set() { cout << str; } // bad overloading! obscures understanding  
};
```

- Actually, operators (which are also functions!) are often overloaded. E.g., what is the type of the operands for “+”?

Function Overloading

- As we'll see, constructors are often overloaded.

```
class Word {  
public:  
    Word() { };  
    Word(const char* s, int k = 1);  
    Word(const Word& w);  
private:  
    int frequency;  
    char* str;  
};
```

Default Arguments

If a function shows some *default* behaviors most of the time, and some exceptional behaviors only *once in awhile*, specifying default arguments is a *better* option than using overloading.

```
class Word {
    ...
public:
    Word( const char* s, int k = 1 ) {
        frequency = k;
        str = new char[strlen(s) + 1]; strcpy(str, s);
    }
};

int main(){
    Word movie("Brokeback Mountain");
    Word director("Ang Lee", 20);
}
```

In fact, this is also a kind of overloading. (Why?)

Default Arguments..

- There may be more than one default argument.

```
void download( char prog, char os = LINUX, char format = ZIP );
```

- All arguments without default values *must* be declared to the left of default arguments. Thus, the following is an error:

```
void download( char os = LINUX, char prog, char format = ZIP ); // error  
int main() { download(LINUX, 'x'); } // can't tell how to interpret this!
```

- An argument can have its default initializer specified only once in a file, usually in the public header file, and not in the function definition. Thus, the following is an error:

```
// word.hpp
```

```
class Word {
```

```
public:
```

```
    Word(const char* s, int k = 1);
```

```
    ...
```

```
}
```

```
// word.cpp
```

```
#include "word.hpp"
```

```
Word::word(const char* s, int k = 1)
```

```
{
```

```
    ...
```

```
}
```


Default Arguments..

- There may be more than one default argument.
`void download(char prog, char os = LINUX, char format = ZIP);`
- All arguments without default values *must* be declared to the left of default arguments. Thus, the following is an error:
`void download(char os = LINUX, char prog, char format = ZIP); // error`
`int main() { download(LINUX, 'x'); } // can't tell how to interpret this!`
- An argument can have its default initializer specified only once in a file, usually in the public header file, and not in the function definition. Thus, the following is okay:

```
// word.hpp
```

```
class Word {
```

```
public:
```

```
    Word(const char* s, int k = 1);
```

```
    ...
```

```
}
```

```
// word.cpp
```

```
#include "word.hpp"
```

```
Word::word(const char* s, int k) // ok
```

```
{
```

```
    ...
```

```
}
```

Summary: Overloading

- If you have two or more function definitions for the same function name that is called **overloading**.
- When you overload a function name the different definitions must have different numbers of formal parameters, or some formal parameters of different types.
- The compiler checks each function call and matches it with the particular function definition whose number and type of formal parameters matches.
- The use of the same name to mean different things is called **polymorphism** (Greek for "many forms").
 - Technically, the kind of polymorphism we've just seen is called **ad hoc polymorphism**.
 - We'll see another kind of polymorphism when we discuss templates.

Class Object Initialization

- If ALL data members of the class are public, they can be initialized when they are created as follows:

```
class Word {  
public:  
    int frequency;  
    char* str;  
};
```

```
int main() { Word movie = {1, "Brokeback Mountain"}; }
```

Class Object Initialization ...

- What happens if some of data members are private?

```
class Word {  
public:  
    int frequency;  
private:  
    char* str;  
};
```

```
int main() { Word movie = {1, "Brokeback Mountain"}; }
```

```
Error: a.cc:8: 'movie' must be initialized by  
    constructor, not by '{ ... }'
```

C++ Constructors

- C++ supports a more general mechanism for user-defined initialization of class objects through *constructor member functions*:
 - Word movie;
 - Word director = “Ang Lee”;
 - Word movie = Word(“Brokeback Mountain”);
 - Word *p = **new** Word(“action”, 1);
- Syntactically, a constructor of a class is a special member function having the *same* name as the class.
- A constructor is called **whenever** an object is created, even when the object is only created temporarily, e.g., as a local variable.
- A constructor must **NOT** specify a return type or explicitly returns a value—NOT even the **void** type.

Default Constructor

```
class Word {  
public:  
    Word() { frequency = 0; str = 0; }  
private:  
    int frequency;  
    char* str;  
};
```

```
int main(int argc, char* argv[])  
{  
    Word movie;  
}
```

- A *default constructor* is a constructor that is called with **NO** argument: `X::X()` for class `X`.
- It is used to initialize an object with user-defined default values.

Compiler Generates a Default Constructor

```
struct Word {  
    int frequency;  
    char* str;  
};
```

```
int main(int argc, char* argv[])  
{  
    Word movie;           // which constructor called?  
}
```

- If there are **NO** user-defined constructors, the compiler will generate the default constructor: `X::X()` for class `X` for you.
- `Word()` { } only creates a record with space for an **int** quantity and a **char*** quantity. Their initial values **CANNOT** be trusted.

Compiler Generates a Default Constructor

```
class Word {           // identical meaning to the previous struct
public:
    int frequency;
    char* str;
};
```

```
int main(int argc, char* argv[])
{
    Word movie;           // which constructor called?
}
```

- If there are **NO** user-defined constructors, the compiler will generate the default constructor: `X::X()` for class `X` for you.
- `Word() { }` only creates a record with space for an **int** quantity and a **char*** quantity. Their initial values **CANNOT** be trusted.

Default Constructor: Bug

- BUT: only when there are NO user-defined constructors, will the compiler automatically supply the default constructor.

```
class Word {
```

```
    ...
```

```
public:
```

```
    Word(const char* s, int k = 0);
```

```
};
```

```
int main()
```

```
{
```

```
    Word movie;
```

```
    // which constructor?
```

```
    Word song("Brokeback Mountain");
```

```
    // which constructor?
```

```
}
```

```
a.cc: 16: no matching function for call to 'Word::Word()'
```

```
a.cc: 12: candidates are: Word::Word(const Word &)
```

```
a.cc: 7:          Word::Word(const char*, int)
```

Caution: Weird C++ Syntax

- The default constructor is a function with no parameters so you might think that it should actually be called using

```
Word movie();
```

the same way as any other function without parameters. This is not correct. A default constructor should be called as

```
Word movie;
```

without using the ().

Type Conversion Constructor

```
class Word {  
    ...  
public:  
    Word(const char* s) {  
        frequency = 1;  
        str = new char [strlen(s) + 1]; strcpy(str, s);  
    }  
};
```

```
int main()  
{  
    Word* p = new Word("action");  
    Word movie("Brokeback Mountain");  
    Word director = "Ang Lee";  
}
```

- A constructor accepting a single argument specifies a conversion from its argument type to the type of its class: `Word(const char*)` converts from type `const char*` to type `Word`.

Type Conversion Constructor..

```
class Word {  
    ...  
public:  
    Word(const char* s, int k =1) {  
        frequency = k;  
        str = new char [strlen(s) + 1]; strcpy(str,s);  
    }  
};
```

```
int main()  
{  
    Word* p = new Word("action");  
    Word movie("Brokeback Mountain");  
    Word director = "Ang Lee";  
}
```

- Notice that if all but **ONE** argument of a constructor have default values, it is still considered a conversion constructor.

Copy Constructor: Example

```
class Word {  
public:  
    Word(const char* s, int k = 1);  
    Word(const Word& w) {  
        frequency = w.frequency;  
        str = new char[strlen(w.str) + 1];  
        strcpy(str, w.str);  
    }  
};  
  
int main()  
{  
    Word movie("Brokeback Mountain");           // which constructor?  
    Word song(movie);                             // which constructor?  
}
```

Copy Constructor

- A copy constructor has only ONE argument of the same class
- Syntax: `X(const X&)` for the class `X`.
- It is called upon:
 - parameter passing to a function (call-by-value)
 - initialization assignment: `Word x("Oscars"); Word y = x;`
 - value returned by a function:

```
Word Word::to_upper_case()
{
    Word x(*this);
    for (char* p = x.str; *p != '\0'; ++p)
        *p += 'A' - 'a';
    return x;
}
```

Default Copy Constructor

For a class X, if no copy constructor is defined by the user, the compiler will automatically supply: `X(const X&)`

```
class Word {  
public:  
    Word(const char* s, int k = 0);  
};
```

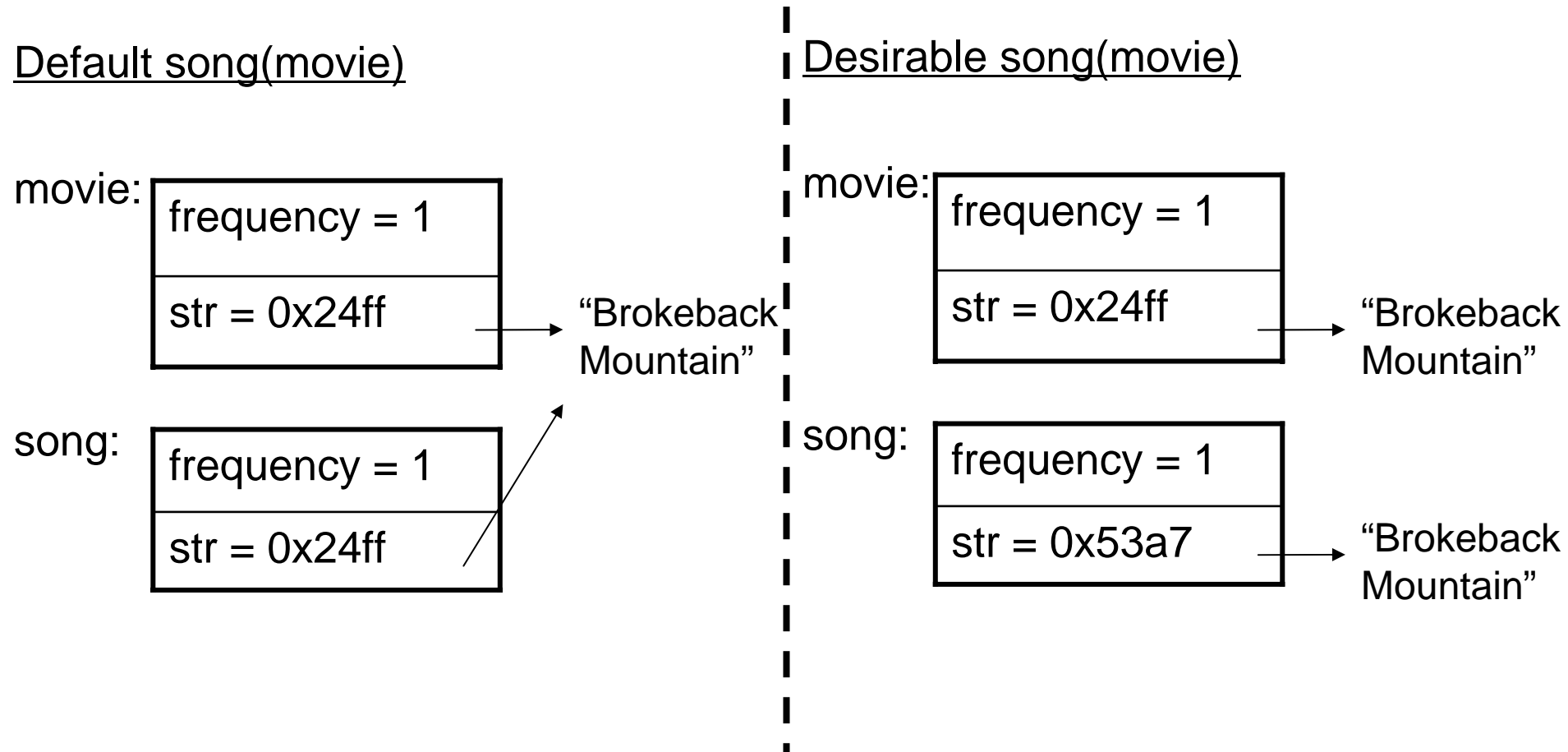
```
int main() {  
    Word movie("Brokeback Mountain");    // which constructor?  
    Word song(movie);                    // which constructor?  
    Word song = movie;                   // which constructor?  
}
```

=> CAUTION: the compiler-generated default copy constructor does memberwise copy! i.e.,

```
song.frequency = movie.frequency;  
song.str = movie.str;
```

Default Copy Constructor

Beware: performs a **memberwise copy** !



Constructor: Quiz

Quiz: How is class initialization done in the following statements?

- `Word vowel("a");`
- `Word article = vowel;`
- `Word movie = "Brokeback Mountain";`

Member Initialization List

Most of the class members may be initialized inside the body of constructor or through member initialization list as follows:

```
class Word {  
    int frequency;  
    char* str;  
public:  
    Word(const char* s, int k = 1) : frequency(k) {  
        str = new char [strlen(s) + 1]; strcpy( str, s);  
    }  
};
```

Member Initialization List ..

Member initialization list also works for data members which are user-defined class objects.

```
class WordPair {  
    const Word w1;  
    Word w2;  
public:  
    WordPair(const char* s1, const char* s2) :  
        w1(s1),  
        w2(s2)  
    {  
    }  
};
```

But make sure that the corresponding member constructors exist!

Member Initialization List ..

Member initialization list also works for data members which are user-defined class objects.

```
class WordPair {
    const Word w1;
    Word w2;
public:
    WordPair(const char* s1, const char* s2) :
        w2(s2)
    {
        w1 = s1;           // quiz: what's the difference here?
    }
};
```

But make sure that the corresponding member constructors exist!

Initialization of `const` or `&` Members

`const` or reference members can **ONLY** be initialized via the member initialization list. (Why?)

```
class Word2 {  
    const char language;  
    const Word2& w2;  
    int frequency;  
    char* str;  
public:  
    Word2(const char* s1, const Word2& w, int k = 1) :  
        language('E'), w2(w), frequency(k) {  
        str = new char [strlen(s) + 1]; strcpy( str, s);  
    }  
};
```

Initialization of `const` or `&` Members

`const` or reference members can **ONLY** be initialized via the member initialization list. (Why?)

```
class Word2 {  
    const char language;  
    const Word2& w2;  
    int frequency;  
    char* str;  
public:  
    Word2(const char* s1, const Word2& w, int k = 1) :  
        language('E'), w2(w), frequency(k) {  
        str = new char [strlen(s) + 1]; strcpy( str, s);  
        language = 'E'; // compile-time error  
        w2 = ??????  
    }  
};
```

Default Memberwise Assignment

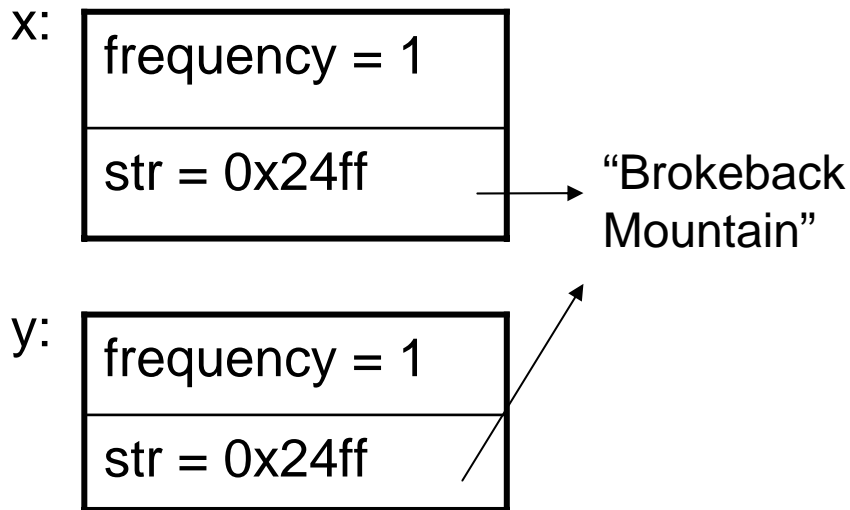
```
Word x("Brokeback Mountain", 1); // Word(const char*, int) constructor
Word y;                          // Word() constructor
y = x;                            // default memberwise assignment
```

```
⇒ y.frequency = x.frequency;
   y.str = x.str;
```

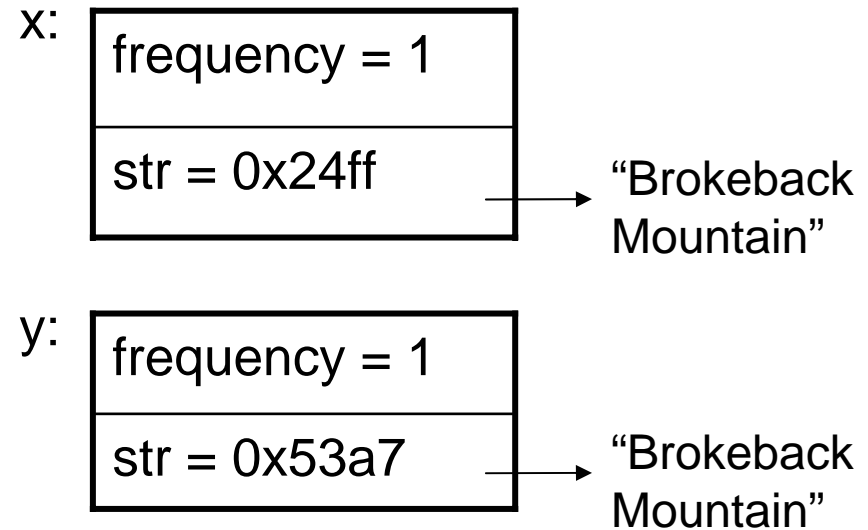
- If an assignment operator function is **NOT** supplied (through operator overloading), the compiler will provide the *default* assignment function – memberwise assignment
- c.f. the case of copy constructor: if you **DON'T** write your own copy constructor, the compiler will provide the *default* copy constructor—which does memberwise copy;
- Memberwise assignment/copy does **NOT** work whenever memory allocation is required for the class members.

Default Memberwise Assignment ..

Default x = y



Desirable x = y



Member Class Initialization

Class members should be initialized through member initialization list which calls the appropriate constructors than by assignments.

```
class WordPair
{
    Word word1;
    Word word2;
    WordPair(const char* x, const char* y) : word1(x), word2(y) { }
};
```

⇒ word1/word2 are initialized using the type conversion constructor, Word(**const char***).

```
WordPair(const char* x, const char* y) { word1 = x; word2 = y; }
```

⇒ error-prone because word1/word2 are initialized by assignment. If there is no user-defined assignment operator function, the default memberwise assignment may **NOT** do what is required.